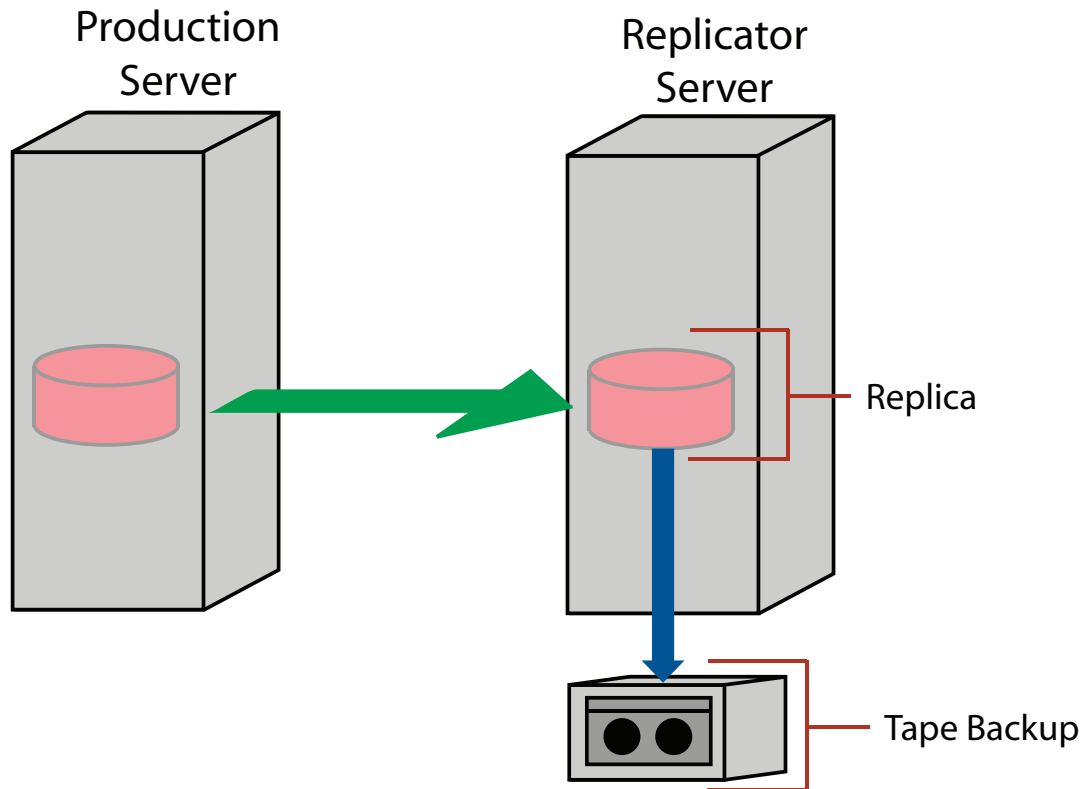


Traditional Tape Backup with an Ever Shrinking “Backup Window”



The Problem

How can a production-level server be backed up without subjecting it to the downtime necessary for a traditional tape backup solution?

The Solution

A Replicator server is placed on a network with a machine that needs to be backed up but can't endure the extra load of the backup procedure (shrinking backup window). Replicator can duplicate the files from the server and, since it is disk-to-disk migration, can perform the procedure much faster than disk-to-tape. Then, the Replicator server can be used to cut the backup tapes. This not only reduces the load on the main server, but allows the possibility of regular full backups with only the incremental network traffic (Replicator only transfers files that have changed, yet maintains a complete mirror).